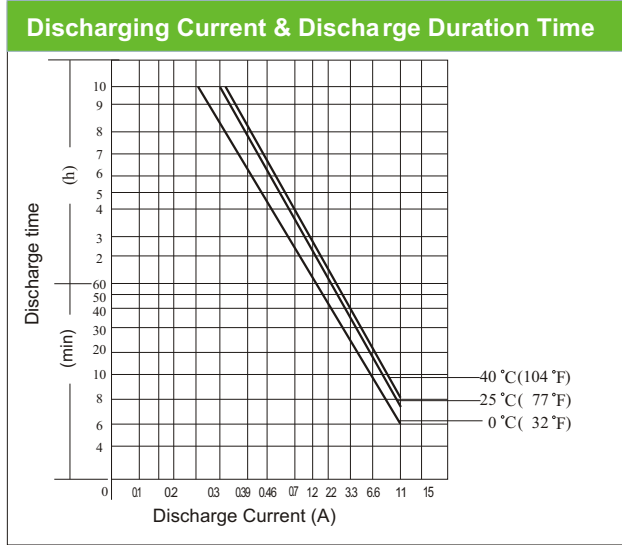
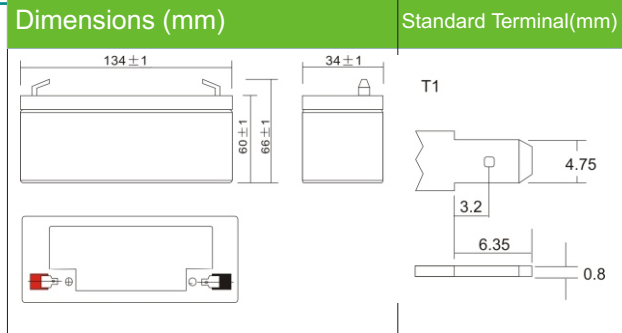
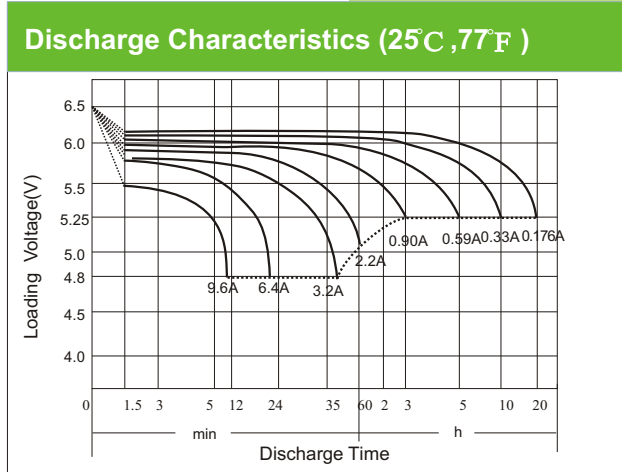


DJW6-3.2(6V3.2AH)



PHYSICAL SPECIFICATION		
Nominal Voltage		6V
Nominal Capacity (20HR)		3.2AH
Dimension	Length	134 ± 1mm (5.27 inches)
	Width	34 ± 1mm (1.34 inches)
	Container Height	60 ± 1mm (2.36 inches)
	Total Height (with Terminal)	66 ± 1mm (2.60 inches)
Weight		Approx 0.62kg (1.37lbs)
Standard Terminal		T1(standard)



ELECTRICAL SPECIFICATION					
Rated Capacity	20 hour rate (176 mA)	3.5AH	Constant-Voltage Charge	Cycle	Initial Charging Current less than 1.0A. Voltage 7.20V~7.50V at 25°C (77°F) Temp. Coefficient -15mV/°C
	10 hour rate (330 mA)	3.3AH			
	5 hour rate (594mA)	2.9AH			
	1 hour rate (2.2 A)	2.2AH			
Capacity affected by Temperature	40°C (104°F)	103%	Standby	No limit on Initial Charging Current Voltage 6.75V~6.90V at 25°C (77°F) Temp. Coefficient -10mV/°C	
	25°C (77°F)	100%			
	0°C (32°F)	86%			
Internal Resistance	Fully charged battery (25°C, 77°F) 20mΩ				

Constant Current (Amp) and Constant Power (Watt/Cell) Discharge Table												Discharge Time (Minute) to final voltage/cell	
Final voltage	Time	1	2	3	6	10	20	30	60	120	180	300	600
1.75V	A	19.4	17.6	14.1	10.3	7.7	4.8	3.5	2.1	1.2	0.90	0.59	0.33
25°C	W	28.8	26.2	20.9	17.9	12.4	9.4	4.9	3.9	2.3	1.87	1.21	0.66
1.70V	A	24.5	19.0	18.3	12.5	9.0	5.3	3.9	2.2	1.2	0.99	0.62	0.34
25°C	W	37.8	29.1	28.5	18.9	14.4	10.2	6.5	4.2	2.4	1.87	1.32	0.68
1.60V	A	27.1	21.5	20.8	13.0	10.0	5.6	4.1	2.3	1.3	1.05	0.66	0.35
25°C	W	38.2	30.6	29.6	19.6	16.9	10.0	6.7	4.2	2.5	1.98	1.32	0.70
1.75V	A	16.7	15.6	12.3	9.3	6.2	4.6	3.3	1.9	1.0	0.77	0.44	0.30
5°C	W	26.4	24.6	19.4	15.4	10.6	8.3	4.4	3.2	2.0	1.54	0.99	0.55
1.70V	A	22.6	17.3	16.6	11.2	8.4	4.7	3.4	2.0	1.1	0.88	0.50	0.31
5°C	W	33.4	25.9	25.4	17.6	13.1	9.0	4.8	3.5	2.2	1.65	1.05	0.62
1.60V	A	23.4	18.2	17.4	11.8	9.6	4.8	3.6	2.0	1.2	0.94	0.55	0.32
5°C	W	35.6	28.5	28.2	18.0	14.5	9.1	5.2	3.6	2.2	1.76	1.10	0.66