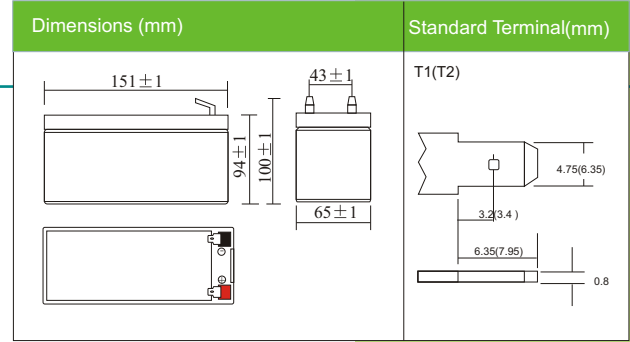




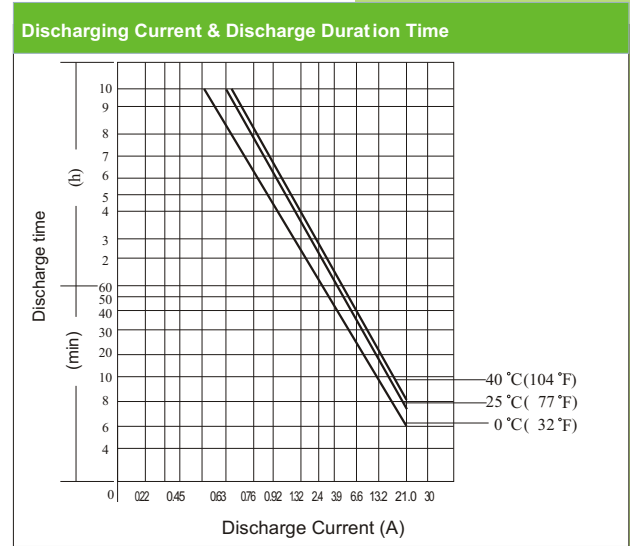
LANDPORT

VdS

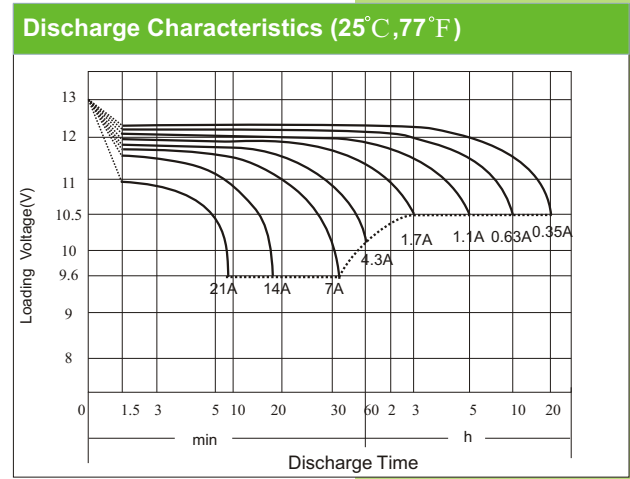
DJW 12-7.0(12V7.0AH)



PHYSICAL SPECIFICATION		
Nominal Voltage		12V
Nominal Capacity (20HR)		7.0AH
Dimension	Length	151 ± 1 mm (5.95 inches)
	Width	65 ± 1 mm (2.56 inches)
	Container Height	94 ± 1 mm (3.70 inches)
	Total Height (with Terminal)	100 ± 1 mm (3.94 inches)
Weight		Approx 2.54kg (5.6lbs)
Standard Terminal		T1 or T2(standard)



ELECTRICAL SPECIFICATION					
Rated Capacity	20 hour rate (350mA)	7.0AH	Constant-Voltage Charge	Cycle	Initial Charging Current less than 2.1A. Voltage 14.4V~15.0V at 25°C (77°F) Temp. Coefficient -30mV/°C
	10 hour rate (630mA)	6.3AH			
	5 hour rate (1.10 A)	5.5AH			
	1 hour rate (4.30A)	4.3AH			
Capacity affected by Temperature	15minute rate (10.5A)	2.6AH	Standby	No limit on Initial Charging Current Voltage 13.5V~13.8V at 25°C (77°F) Temp. Coefficient -20mV/°C	
	40C (104F)	103%			
	25C (77F)	100%			
Internal Resistance	0C (32F)	86%	Fully charged battery (25°C, 77°F) 23mΩ		



Constant Current (Amp) and Constant Power (Watt/Cell) Discharge Table													
Final voltage	Time	Discharge Time (Minute) to final voltage/cell											
		1	2	3	6	10	20	30	60	120	180	300	600
1.75V	A	38.5	35.0	28.0	24.0	15.4	9.7	7.2	4.2	2.3	1.7	1.1	0.63
	25°C W	57.1	51.9	41.4	35.9	24.8	16.7	9.9	7.6	4.6	3.3	2.3	1.30
1.70V	A	50.7	38.0	36.7	25.0	18.0	10.0	7.6	4.3	2.5	1.8	1.2	0.70
	25°C W	78.1	58.1	57.1	37.8	28.7	18.9	12.9	8.3	4.8	3.4	2.4	1.30
1.60V	A	64.7	42.9	41.5	26.0	20.0	12.2	8.2	4.6	2.6	1.9	1.3	0.75
	25°C W	91.5	61.3	59.2	39.3	33.8	22.7	13.4	8.8	5.0	3.5	2.5	1.40
1.75V	A	33.2	30.9	24.5	18.5	12.4	9.6	6.7	3.7	2.1	1.6	1.1	0.60
	5°C W	52.5	49.0	38.5	30.8	21.2	16.3	9.6	6.3	3.9	3.1	2.0	1.10
1.70V	A	46.6	34.6	33.2	22.5	16.9	9.9	6.9	3.9	2.2	1.7	1.1	0.62
	5°C W	68.8	51.9	50.7	35.3	26.1	17.7	11.5	7.1	4.2	3.2	2.1	1.24
1.60V	A	56.0	36.4	34.8	23.6	19.3	11.2	7.1	4.0	2.3	1.8	1.2	0.64
	5°C W	85.1	56.9	56.5	36.0	28.9	20.4	12.2	7.3	4.4	3.4	2.2	1.25