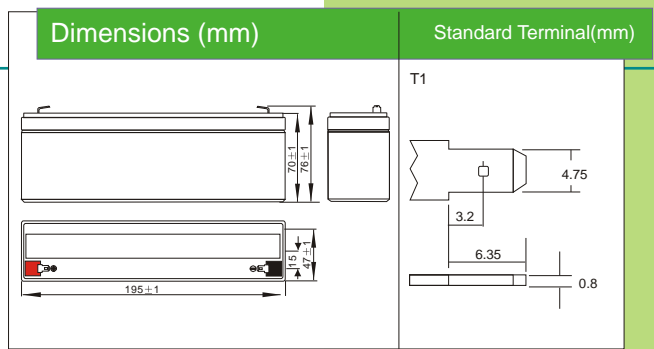


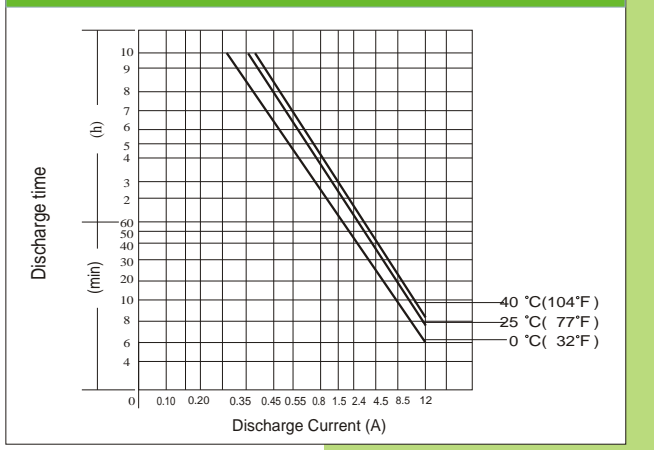
DJW12-4.0 (12V4.0AH)



PHYSICAL SPECIFICATION

Nominal Voltage		12V
Nominal Capacity (20HR)		4.0AH
Dimension	Length	195 ± 1mm (7.68 inches)
	Width	47 ± 1mm (1.85 inches)
	Container Height	70 ± 1mm (2.76 inches)
	Total Height (with Terminal)	76 ± 1mm (2.99 inches)
Weight		Approx 1.70kg (3.75lbs)
Standard Terminal		T1 (Standard)

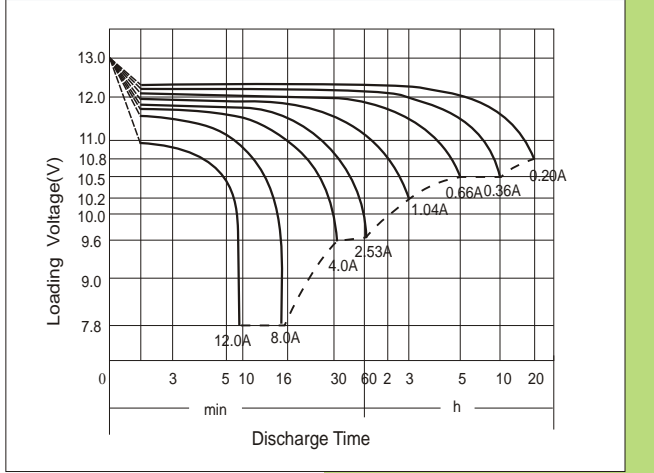
Discharging Current & Discharge Duration Time



ELECTRICAL SPECIFICATION

Rated Capacity	20 hour rate (200mA)	4.00AH	Constant Voltage	Cycle	Initial Charging Current less than 1.20A. Voltage 14.4V~ 15.0V at 25°C (77°F) Temp. Coefficient -30mV/°C
	10 hour rate (364mA)	3.64AH			
	5 hour rate (658mA)	3.29AH			
	1 hour rate (2.53 A)	2.53AH			
	15minute rate (8.02 A)	2.00AH			
Capacity affected by Temperature	40°C (104°F)	103%	Charge	Standby	No limit on Initial Charging Current Voltage 13.5V~13.8V at 25°C (77°F) Temp. Coefficient -20mV/°C
	25°C (77°F)	100%			
	0°C (32°F)	86%			

Discharge Characteristics (25°C, 77°F)



Constant Current (Amp) and Constant Power (Watt) Discharge Table (25°C, 77°F)

Time(minute) Final voltage/Cell	5	10	15	20	30	45	60	120	180	300	600	1200
Amp/Watt/Cell	1.30	1.30	1.30	1.30	1.60	1.60	1.67	1.70	1.75	1.75	1.75	1.80
A	16.36	11.65	8.02	6.54	4.70	3.27	2.53	1.43	1.04	0.66	0.36	0.20
W	29.28	21.92	15.25	12.80	9.24	6.50	5.03	2.84	2.07	1.31	0.73	0.41