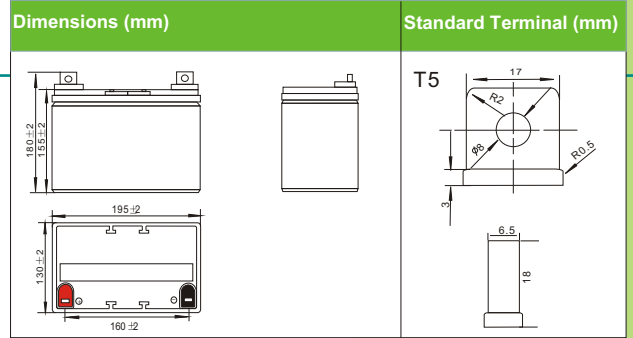
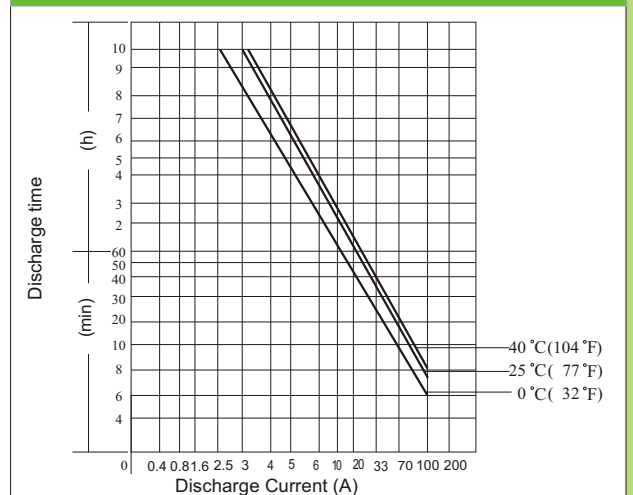


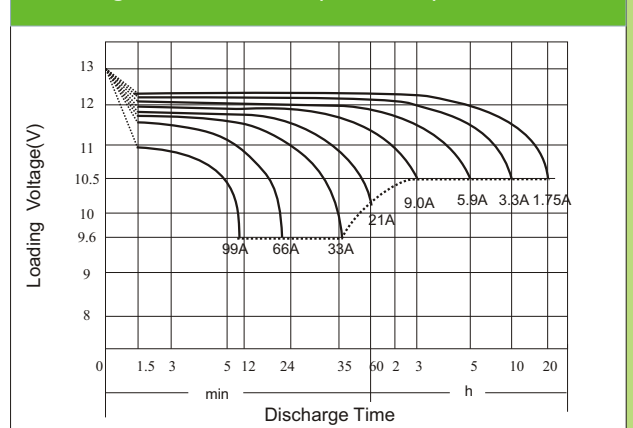
DJW12-33(12V33AH)



Discharging Current & Discharge Duration Time



Discharge Characteristics (25°C, 77°F)



PHYSICAL SPECIFICATION

Nominal Voltage		12V
Nominal Capacity (20HR)		33AH
Dimension	Length	195±2mm (7.68 inches)
	Width	130±2mm (5.12 inches)
	Container Height	155±2mm (6.10 inches)
	Total Height (with Terminal)	180±2mm (7.09 inches)
Weight		Approx. 11.2kg (24.71lbs)
Standard Terminal		T5

ELECTRICAL SPECIFICATION

Rated Capacity	20 hour rate (1.75 A)	35 AH	Constant Voltage Charge	Cycle	Initial Charging Current less than 9.9A. Voltage 14.4V~15.0V at 25°C (77°F) Temp. Coefficient -30mV/°C
	10 hour rate (3.3 A)	33 AH			
	5 hour rate (6.0 A)	30AH			
	1 hour rate (20.9A)	20.9AH			
Capacity affected by Temperature	15minute rate (48A)	12 AH	Standby	No limit on Initial Charging Current Voltage 13.5V~13.8V at 25°C (77°F) Temp. Coefficient -20mV/°C	
	40C (104F)	103%			
	25C (77F)	100%			
Internal Resistance	0C (32F)	86%			
	Fully charged battery (25°C, 77°F) 7.0mΩ				

Constant Current (Amp) and Constant Power (Watt/Cell) Discharge Table

Final voltage	Time	Discharge Time (Minute) to final voltage/cell											
		1	2	3	6	10	20	30	60	120	180	300	600
1.75V	A	194	176	141	103	77	48	35	20.9	11.4	9.0	5.9	3.3
	25°C W	288	262	209	179	124	94	49	37.8	22.9	17.9	11.4	6.5
1.70V	A	245	190	183	125	90	53	37	21.0	12.4	9.4	5.9	3.5
	25°C W	378	291	285	189	144	102	64	41.3	23.9	18.9	11.9	6.7
1.60V	A	271	215	208	130	100	56	40	22.9	12.9	10.0	6.5	3.7
	25°C W	382	306	296	196	169	100	66	43.8	24.9	19.4	12.4	6.9
1.75V	A	167	156	123	93	62	46	33	18.3	10.4	8.0	5.4	3.0
	5°C W	264	246	194	154	106	83	52	31.4	19.4	15.4	10.0	5.4
1.70V	A	226	173	166	112	84	47	34	19.4	10.9	8.4	5.7	3.0
	5°C W	334	259	254	176	131	90	57	35.3	20.9	15.9	10.4	5.9
1.60V	A	234	182	174	118	96	48	35	20.0	11.4	9.0	5.9	3.2
	5°C W	356	285	282	180	145	91	60	36.4	21.9	17.0	10.9	5.9