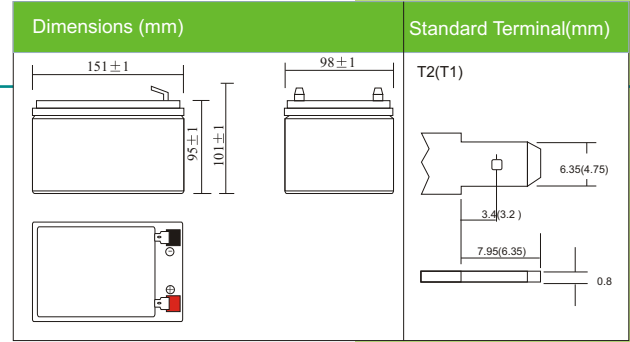




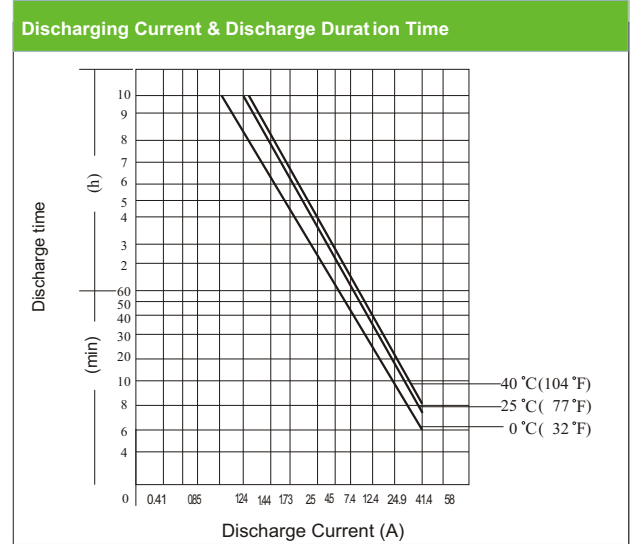
LANDPORT

VdS

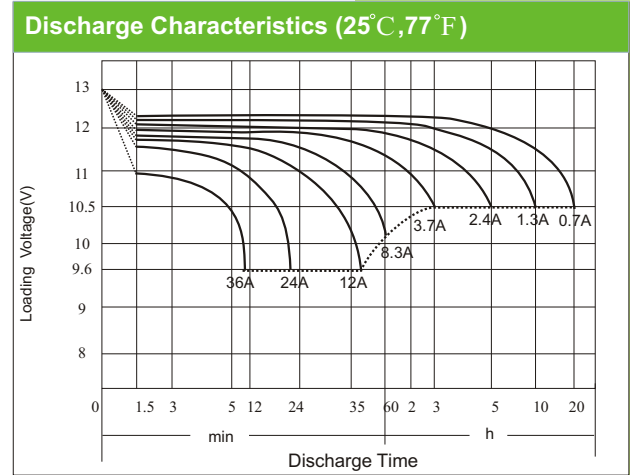
# DJW 12-12(12V12AH)



PHYSICAL SPECIFICATION		
Nominal Voltage		12V
Nominal Capacity (20HR)		12AH
Dimension	Length	$151 \pm 1$ mm (5.95 inches)
	Width	$98 \pm 1$ mm (3.86 inches)
	Container Height	$95 \pm 1$ mm (3.74 inches)
	Total Height (with Terminal)	$101 \pm 1$ mm (3.98 inches)
Weight		Approx 4.05kg (8.93lbs)
Standard Terminal		T2 or T1(standard)



ELECTRICAL SPECIFICATION					
Rated Capacity	20 hour rate (0.70 A)	14AH	Constant-Voltage Charge	Cycle	Initial Charging Current less than 3.6A. Voltage 14.4V~ 15.0V at 25°C (77°F) Temp. Coefficient -30mV/C
	10 hour rate (1.3 A)	13AH			
	5 hour rate (2.4 A)	12AH			
	1 hour rate (8.3 A)	8.3AH			
Capacity affected by Temperature	15minute rate (21.6 A)	5.4AH	Standby	No limit on Initial Charging Current Voltage 13.5V~13.8V at 25°C (77°F) Temp. Coefficient - 20mV/C	
	40C ( 104F )	103%			
	25C ( 77F )	100%			
Internal Resistance	0C ( 32F )	86%	Fully charged battery (25°C, 77°F) 13mΩ		



Constant Current (Amp) and Constant Power (Watt/Cell) Discharge Table													
Final voltage	Time	Discharge Time (Minute) to final voltage/cell											
		1	2	3	6	10	20	30	60	120	180	300	600
1.75V	A	77.6	70.4	56.4	41.2	30.8	19.2	14	8.3	4.8	3.7	2.4	1.3
	W	115.2	104.8	83.6	71.6	49.6	37.6	21	15.6	9.4	7.3	4.8	2.6
1.70V	A	98.0	76.0	73.2	50.0	36.0	21.2	15	8.4	5.1	3.9	2.5	1.4
	W	151.2	116.4	114.0	75.6	57.6	40.8	26	16.2	9.8	7.8	4.9	2.7
1.60V	A	108.4	86.0	83.2	52.0	40.0	22.4	17	9.0	5.2	4.0	2.6	1.4
	W	152.8	122.4	118.4	78.4	67.6	40.0	27	16.3	10.2	8.0	5.0	2.7
1.75V	A	66.8	62.4	49.2	37.2	24.8	18.4	14	7.5	4.3	3.3	2.1	1.2
	W	105.6	98.4	77.6	61.6	42.4	33.2	19	13.1	8.0	6.3	4.2	2.3
1.70V	A	90.4	69.2	66.4	44.8	33.6	18.8	14	7.9	4.5	3.6	2.3	1.3
	W	133.6	103.6	101.6	70.4	52.4	36.0	24	14.3	8.7	6.9	4.4	2.5
1.60V	A	93.6	72.8	69.6	47.2	38.4	19.2	14	8.2	4.6	3.7	2.4	1.3
	W	142.4	114.0	112.8	72.0	58.0	36.4	24	15.4	9.0	7.0	4.5	2.6