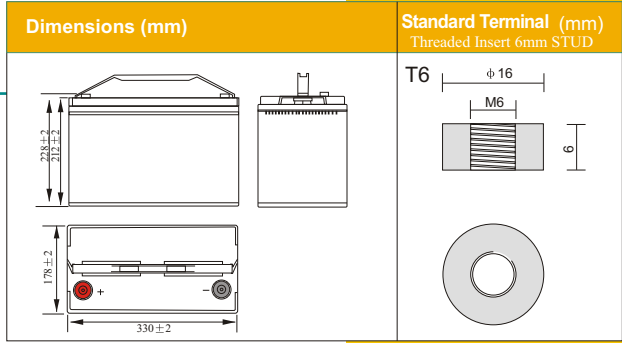


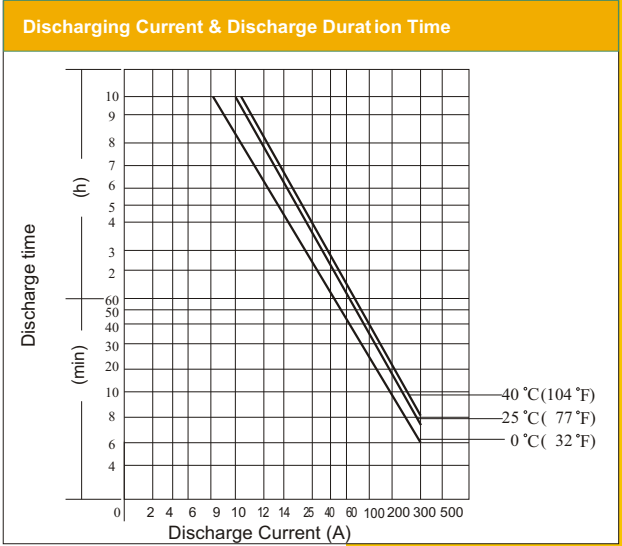


LANDPORT

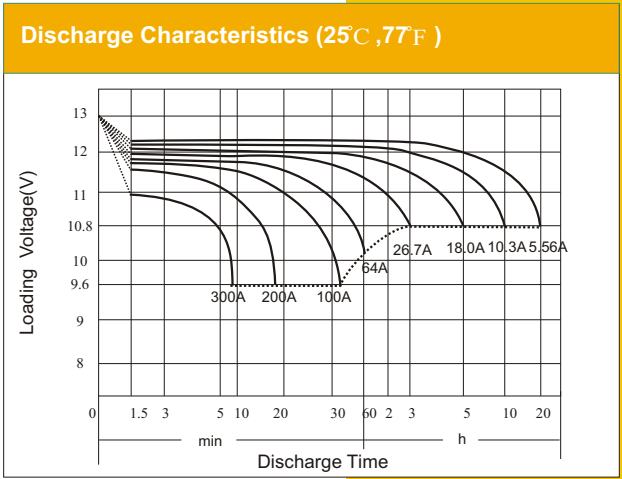
DJM 12100(12V100AH)



PHYSICAL SPECIFICATION		
Nominal Voltage		12V
Nominal Capacity (10HR)		100AH
Dimension	Length	330 ± 3mm (12.99 inches)
	Width	173 ± 2mm (6.81 inches)
	Container Height	220 ± 2mm (8.66 inches)
	Total Height (with Terminal)	220 ± 2mm (8.66 inches)
Weight		Approx 32kg (70.6lbs)
Standard Terminal		Threaded Insert 6mm STUD



ELECTRICAL SPECIFICATION					
Rated Capacity	20 hour rate (5.56 A)	111 AH	Constant-Voltage Charge	Cycle	Initial Charging Current less than 30A. Voltage 14.4V~ 15.0V at 25°C (77°F) Temp. Coefficient -30mV/°C
	10 hour rate (10.3 A)	103 AH			
	5 hour rate (18.0A)	90.0AH			
	3 hour rate (26.7A)	80.1AH			
Capacity affected by Temperature	40C (104F)	103%	Standby	No limit on Initial Charging Current Voltage 13.5V~13.8V at 25°C (77°F) Temp. Coefficient - 20mV/°C	
	25C (77F)	100%			
	0C (32F)	86%			
Internal Resistance	Fully charged battery (25°C, 77°F) 4.3mΩ				



Constant Current (Amp) and Constant Power (Watt/Cell) Discharge Table		Discharge Time (Minute) to final voltage/cell										
Final voltage	Time	10	20	30	60	120	180	240	300	360	480	600
180V	A	180	124	103	61.0	364	267	212	180	153	121	103
25°C	W	326	226	194	118	706	518	407	346	294	234	200
175V	A	200	139	108	64.0	381	287	242	192	161	125	111
25°C	W	361	257	205	124	739	557	465	369	308	241	216
160V	A	242	155	118	68.0	402	300	251	201	167	129	115
25°C	W	431	285	221	131	776	579	469	378	309	243	219
180V	A	153	105	89	51.9	309	227	182	155	135	106	9.1
5°C	W	277	191	167	100.2	600	440	349	298	259	204	17.7
175V	A	170	118	93	54.4	324	244	208	165	142	110	9.8
5°C	W	307	218	177	105	629	473	399	317	271	212	19.1
160V	A	206	132	101	57.8	342	255	216	173	147	114	10.1
5°C	W	366	244	189	111	660	492	407	325	273	214	19.3