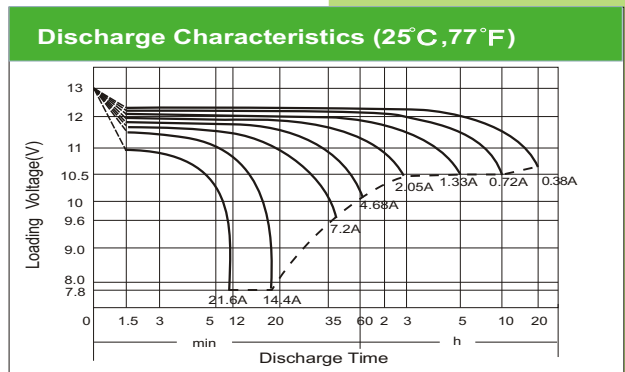
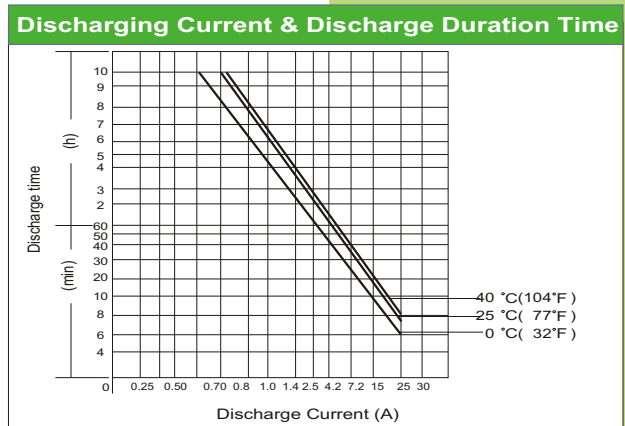
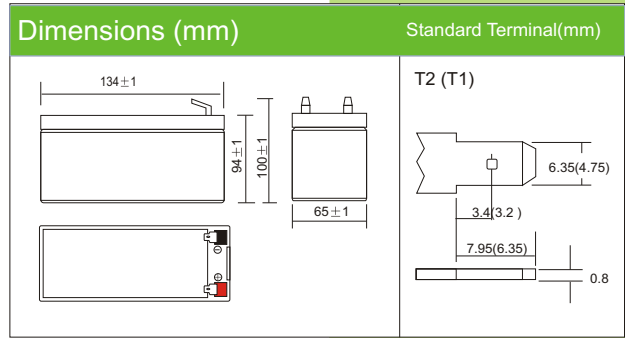


LPC12-7.2(12V7.2AH)



Physical Specification		
Nominal Voltage		12V
Nominal Capacity (10HR)		7.2AH
Dimension	Length	151 ± 1mm (5.95 inches)
	Width	65 ± 1mm (2.56 inches)
	Container Height	94 ± 1mm (3.70 inches)
	Total Height (with Terminal)	100 ± 1mm (3.94 inches)
Weight		Approx 2.50kg 5.51bs
Standard Terminal		T1 or T2(standard)

Constant Current (Amp) and Constant Power (Watt) Discharge Table (25°C, 77°F)

Final voltage/Cell	Time(minute)	Amp/Watt							
		5	10	15	20	30	40	50	60
1.60	A	29.6	20.9	14.9	12.3	8.3	7.2	6.0	4.7
1.60	W	296	214	157	133	91	80	67	53
1.70	A	24.4	17.9	13.1	10.9	7.8	6.9	5.6	4.6
1.70	W	256	192	143	120	87	77	64	52

ELECTRICAL SPECIFICATION					
Rated Capacity	20 hour rate (380mA)	7.6AH	Constant Voltage	Cycle	Initial Charging Current less than 2.16A. Voltage 14.4V~ 15.0V at 25C (77°F) Temp. Coefficient -30mV/C
	10 hour rate (720mA)	7.2AH			
	5 hour rate (1.33A)	6.65AH			
	1 hour rate (4.68A)	4.68AH			
Capacity affected by Temperature	15minute rate (15.4A)	3.85AH	Charge	Standby	No limit on Initial Charging Current Voltage 13.5V~13.8V at 25C (77°F) Temp. Coefficient -20mV/C
	40C (104F)	103%			
	25C (77F)	100%			
0C (32F)	86%				

Constant Current (Amp) and Constant Power (Watt) Discharge Table (25°C, 77°F)

Time(minute) Final voltage/Cell	Amp/Watt/Cell											
	5	10	15	20	30	45	60	120	180	300	600	1200
A	1.3	1.3	1.3	1.3	1.6	1.6	1.67	1.7	1.75	1.75	1.75	1.8
W	35.28	21.60	15.40	12.38	8.30	6.00	4.68	2.81	2.05	1.33	0.72	0.38
	59.76	41.11	27.94	24.34	22.17	11.17	9.29	5.62	4.03	2.66	1.44	0.76