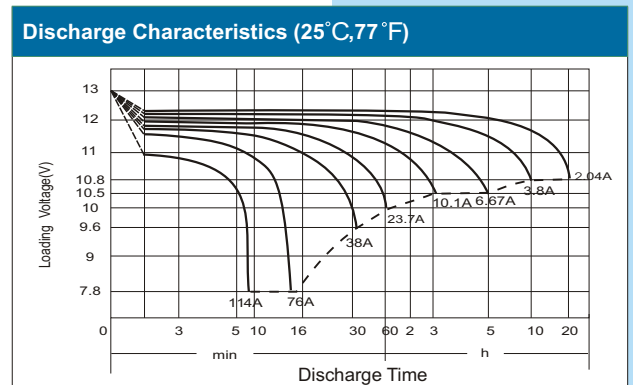
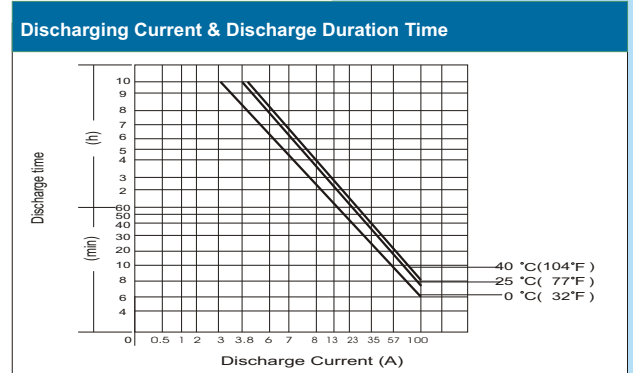
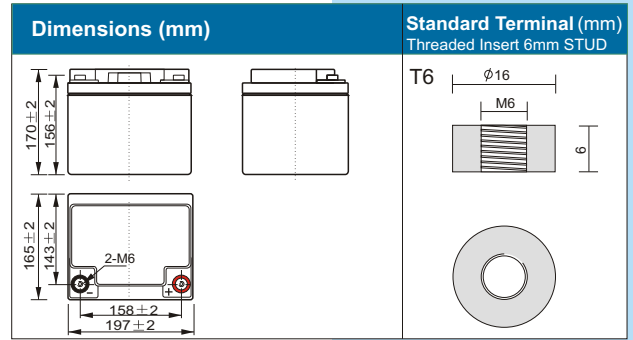


LPC12-38 (12V38AH)



PHYSICAL SPECIFICATION		
Nominal Voltage		12V
Nominal Capacity (10HR)		38AH
Dimension	Length	197±2mm (7.76 inches)
	Width	165±2mm (6.50 inches)
	Container Height	170±2mm (6.69 inches)
	Total Height (with Cover)	170±2mm (6.69 inches)
Weight		Approx 14.5kg (32.0lbs)
Standard Terminal		Threaded Insert 6mm STUD

Constant Current (Amp) and Constant Power (Watt) Discharge Table (25°C, 77°F)

Final voltage/Cell	Amp/Watt	Time(minute)						
		5	10	15	20	30	45	60
1.60	A	148	100	75.2	62.0	46.0	35.8	24.6
	W	1472	1020	790	667	505	396	276
1.70	A	121.7	85.5	66.1	54.8	42.5	33.6	23.0
	W	1273	912	716	600	471	376	263

ELECTRICAL SPECIFICATION					
Rated Capacity	20 hour rate (2.04 A)	40.8AH	Constant Voltage Charge	Cycle	Initial Charging Current less than 11.4A. Voltage 14.4V~ 15.0V at 25C (77F) Temp. Coefficient -30mV/C
	10 hour rate (3.80 A)	38.0AH			
	5 hour rate (6.67 A)	33.4AH			
	3 hour rate (10.1 A)	30.3AH			
Capacity affected by Temperature	1 hour rate (23.7 A)	23.7AH	Standby	No limit on Initial Charging Current Voltage 13.5V~13.8V at 25C (77F) Temp. Coefficient - 20mV/C	
	40C (104F)	103%			
	25C (77F)	100%			
	0C (32F)	86%			

Constant Current (Amp) and Constant Power (Watt) Discharge Table (25°C, 77°F)

Amp/Watt/Cell	Time(minute)	Final voltage														
		1.3	1.3	1.3	1.6	1.6	1.67	1.7	1.75	1.75	1.75	1.75	1.75	1.75	1.75	1.80
A	100.7	75.8	62.5	46.0	35.8	23.7	13.7	10.1	8.12	6.67	5.81	4.60	3.80	2.04		
W	171.3	132.6	112.0	91.1	66.8	44.8	26.0	19.5	15.7	13.0	11.3	9.03	7.51	4.03		