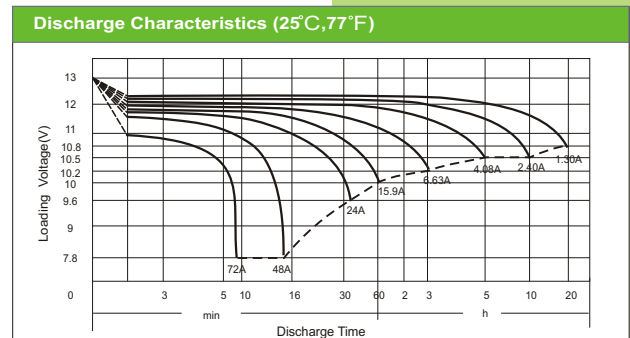
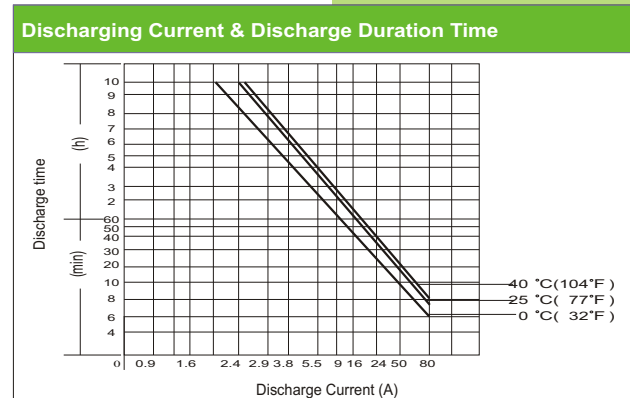
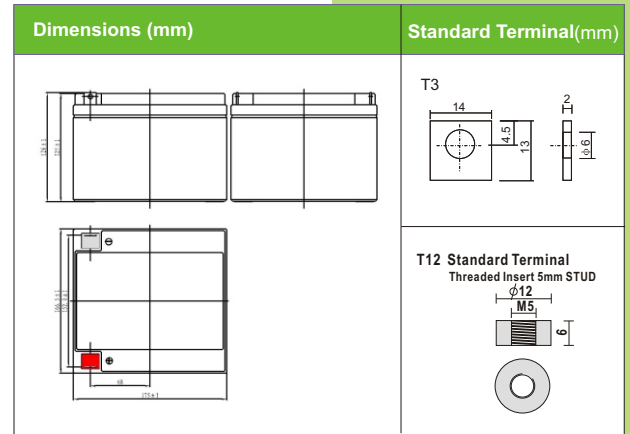


LPC12-24 (12V24AH)



PHYSICAL SPECIFICATION		
Nominal Voltage	12V	
Nominal Capacity (10HR)	24AH	
Dimension	Length	166.5 ± 1mm (6.56 inches)
	Width	175 ± 1mm (6.89 inches)
	Container Height	125 ± 1mm (4.92 inches)
	Total Height (with Cover)	126 ± 1mm (4.96 inches)
Weight	Approx 8.0kg (17.64lbs)	
Standard Terminal	T3/T12(standard)	

Constant Current (Amp) and Constant Power (Watt) Discharge Table (25°C, 77°F)

Final voltage/Cell	Time(minute)	Amp/Watt						
		5	10	15	20	30	45	60
1.60	A	101.4	71.5	51.0	42.1	28.6	22.5	16.1
1.60	W	1014	733	538	455	315	252	181
1.70	A	83.4	61.1	44.8	37.2	26.8	21.0	15.8
1.70	W	877	655	488	410	299	242	180

ELECTRICAL SPECIFICATION

Rated Capacity	20 hour rate (1.30A)	26.0AH	Constant-Voltage Charge	Cycle	Initial Charging Current less than 7.2A. Voltage 14.4V~15.0V at 25°C (77°F) Temp. Coefficient -30mV/C
	10 hour rate (2.40A)	24.0AH			
	5 hour rate (4.42A)	22.1AH			
	1 hour rate (15.9A)	15.9AH			
Capacity affected by Temperature	15minute rate (52.6A)	13.15AH	Standby	No limit on Initial Charging Current Voltage 13.5V~13.8V at 25°C (77°F) Temp. Coefficient -20mV/C	
	40C (104F)	103%			
	25C (77F)	100%			
	0C (32F)	86%			

Constant Current (Amp) and Constant Power (Watt) Discharge Table (25°C, 77°F)

Time(minute) Final voltage/Cell	Amp/Watt/Cell											
	5	10	15	20	30	45	60	120	180	300	600	1200
A	104.00	74.10	52.60	43.20	28.60	22.50	15.90	9.10	6.63	4.42	2.40	1.30
W	186.16	139.36	101.00	81.38	52.50	42.00	30.98	18.10	13.18	8.84	4.78	2.61