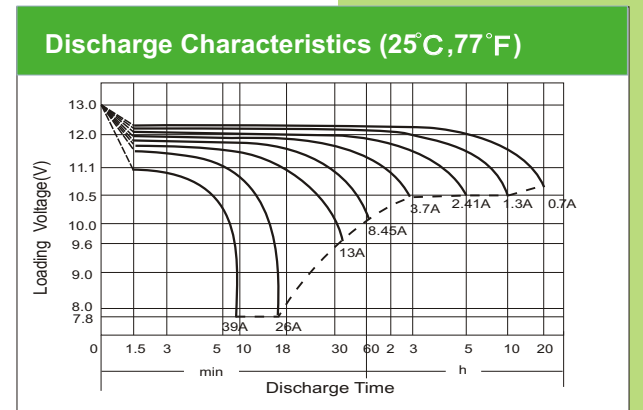
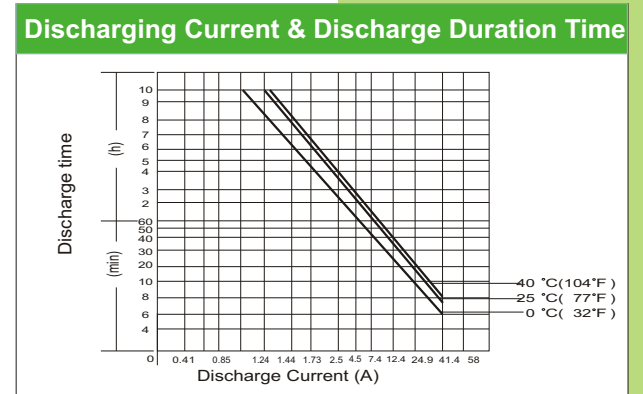
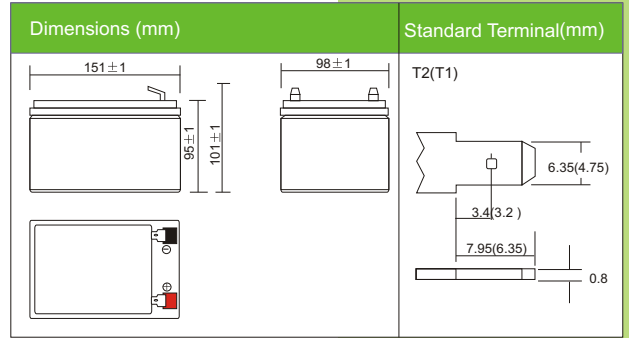


LPC12-13 (12V13AH)



PHYSICAL SPECIFICATION		
Nominal Voltage		12V
Nominal Capacity (10HR)		13AH
Dimension	Length	151 ± 1mm (5.95 inches)
	Width	98 ± 1mm (3.86 inches)
	Container Height	95 ± 1mm (3.74 inches)
	Total Height (with Terminal)	101 ± 1mm (3.98 inches)
Weight		Approx 4.20kg (9.26lbs)
Standard Terminal		T2 (standard)

Constant Current (Amp) and Constant Power (Watt) Discharge Table (25°C, 77°F)									
Final voltage/Cell	Time(minute) Amp/Watt	Time(minute)							
		5	10	15	20	30	40	50	60
1.60	A	54.6	38.5	27.4	22.7	15.4	13.4	11.1	8.8
1.60	W	546	395	290	245	170	148	123	99
1.70	A	44.9	32.9	24.1	20.0	14.5	12.7	10.7	8.5
1.70	W	472	353	263	221	162	142	122	98

ELECTRICAL SPECIFICATION					
Rated Capacity	20 hour rate (0.70 A)	14.0AH	Constant Voltage Charge	Cycle	Initial Charging Current less than 3.6A. Voltage 14.4V- 15.0V at 25°C (77°F) Temp. Coefficient -30mV/C
	10 hour rate (1.30 A)	13.0AH			
	5 hour rate (2.41 A)	12.5AH			
	1 hour rate (8.45 A)	8.45AH			
	15minute rate (27.8A)	6.95AH			
Capacity affected by Temperature	40C (104F)	103%	Standby	No limit on Initial Charging Current Voltage 13.5V-13.8V at 25°C (77°F) Temp. Coefficient -20mV/C	
	25C (77F)	100%			
	0C (32F)	86%			

Constant Current (Amp) and Constant Power (Watt) Discharge Table (25°C, 77°F)												
Time(minute) Final voltage/Cell Amp/Watt/Cell	5	10	15	20	30	45	60	120	180	300	600	1200
	1.3	1.3	1.3	1.60	1.60	1.60	1.67	1.70	1.75	1.75	1.75	1.80
A	63.70	39.00	27.80	22.70	15.40	11.70	8.45	5.07	3.71	2.41	1.30	0.70
W	107.90	74.23	52.38	40.67	28.33	23.27	16.77	10.14	7.28	4.81	2.60	1.40